

Technical Specifications / Engineering Submittals

Raritan Model Number: PX3-1133U-E2H4N1

rev20200701

LINE DRAWING



FEATURES

| | |
|-------------------------------------|---|
| Energy Metering | Voltage (V), Current (A), Active Power (kW), Real Power (kVA), Energy (kWh), Power Factor |
| Metering Accuracy | ISO/IEC 62053-21 1% |
| Metering per Input Line | Yes |
| Metering per Branch Circuit Breaker | No |
| Metering per Output Receptacle | No |
| Remote Outlet Switching | No |
| Environmental Sensor Ready | Yes |
| Replaceable Controller | Yes |
| Compatible Sensors | Temperature, Humidity, Air Flow, Differential Pressure, Water Leak, and Contact Closure |
| Networking | Gigabit (10/100/1000 BaseT) Ethernet port; secondary, redundant (10/100/1000 BaseT) Ethernet port. Optional WiFi (802.11a/b/g/n) |
| Remote Management | HTTP(s); SSH; Telnet; RS-232 (Serial); Power IQ; SNMP version v2/v3; SMTP; JSON-RPC; Modbus over TCP |
| Cascading | Yes, Max 16 PDUs can be daisy chained using a single Ethernet or USB connection |
| Onboard Display | Color, matrix LCD display : Voltage, current, or active power (per line); Alarms; Configuration information (name, ratings, IP / Networking information); Auto-flip orientation |
| Embedded Processor | ARM Cortex A5 500MHZ (Atmel A5D21C), 16MB SPI Flash, 128MB DDR2 RAM |

Technical Specifications / Engineering Submittals

Raritan Model Number: PX3-1133U-E2H4N1

rev20200701

INPUT

| | |
|-----------------------|--------------------------------|
| Input Plug | IEC 60309 2P+E 6h 16A (2P3W) |
| Cord Length | 3 meters (9.84 feet) standard |
| Cord Entry | Top-end feed |
| Cable Type | IP44("splashproof") |
| Number of Power Cords | 1 |
| Maximum Input Current | 16A |
| Nominal Input Voltage | 230V |
| Rated Input Voltage | 200 - 240V |
| Input Frequency | 50/60Hz |
| Power Capacity | 3.2kVA at 200V, 3.8kVA at 240V |

OUTPUT

| | |
|----------------------------------|--|
| Nominal Output Voltage | 230V |
| Rated Output Voltage | 200 - 240V |
| Receptacles (Output Connections) | (18) IEC60320 C13 Locking, 10A (18) IEC60320 C19 Locking, 16A |
| Securelock Support | Yes |
| Cord Retention | No |
| Overload Protection | N/A |

PHYSICAL

| | |
|-----------------------------|--|
| Color | Black powder coat (custom colors available) |
| Unit Dimensions (WxDxH) | 2.1" x 2.6" x 73.1" ; 52mm x 65mm x 1856mm |
| Unit Weight | TBD |
| Shipping Weight | TBD |
| Shipping Dimensions (WxDxH) | 14.37" x 5.51" x 93.23" ; 365mm x 140mm x 2368mm |
| Mounting | G2-RACK-FOR-ZU |

Technical Specifications / Engineering Submittals

Raritan Model Number: PX3-1133U-E2H4N1

rev20200701

ENVIRONMENTAL

| | |
|-----------------------------|-------------|
| Operating Temperature | 60°C |
| Operating Relative Humidity | 85% |
| Operating Elevation | 0-10000ft |
| Storage Temperature | -25 to 65°C |
| Storage Humidity | 0-100% |
| Storage Elevation | 0-10000ft |

CONFORMANCE

| | |
|----------------------|---|
| Regulatory Approvals | CE, Canada ICES-003, Part 15 Class A of the FCC rules, RoHS compliant |
| Warranty | Standard 2 years manufacturer warranty (Extended warranty available for purchase) |

Technical Specifications / Engineering Submittals

Raritan Model Number: PX3-1133U-E2H4N1

rev20200701

CONTROL PANEL

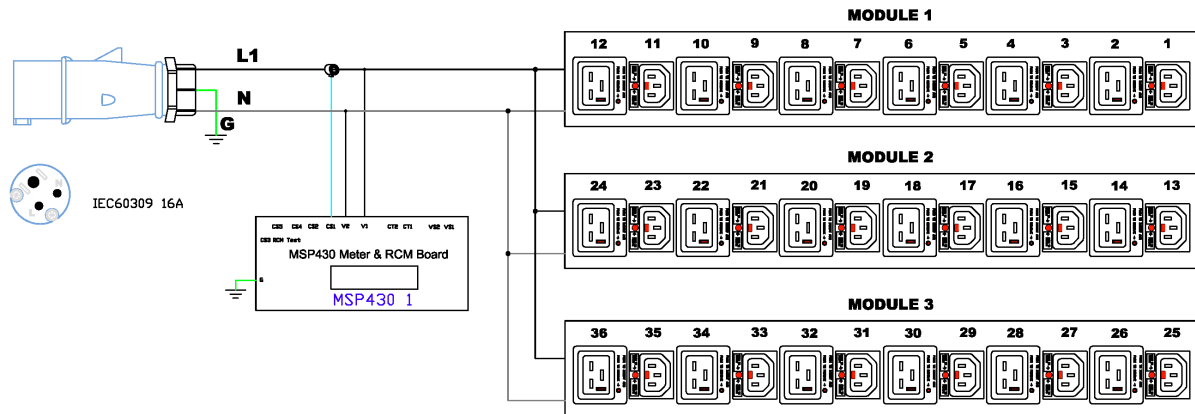


Technical Specifications / Engineering Submittals

Raritan Model Number: PX3-1133U-E2H4N1

rev20200701

ELECTRICAL (ONE LINE) DIAGRAM

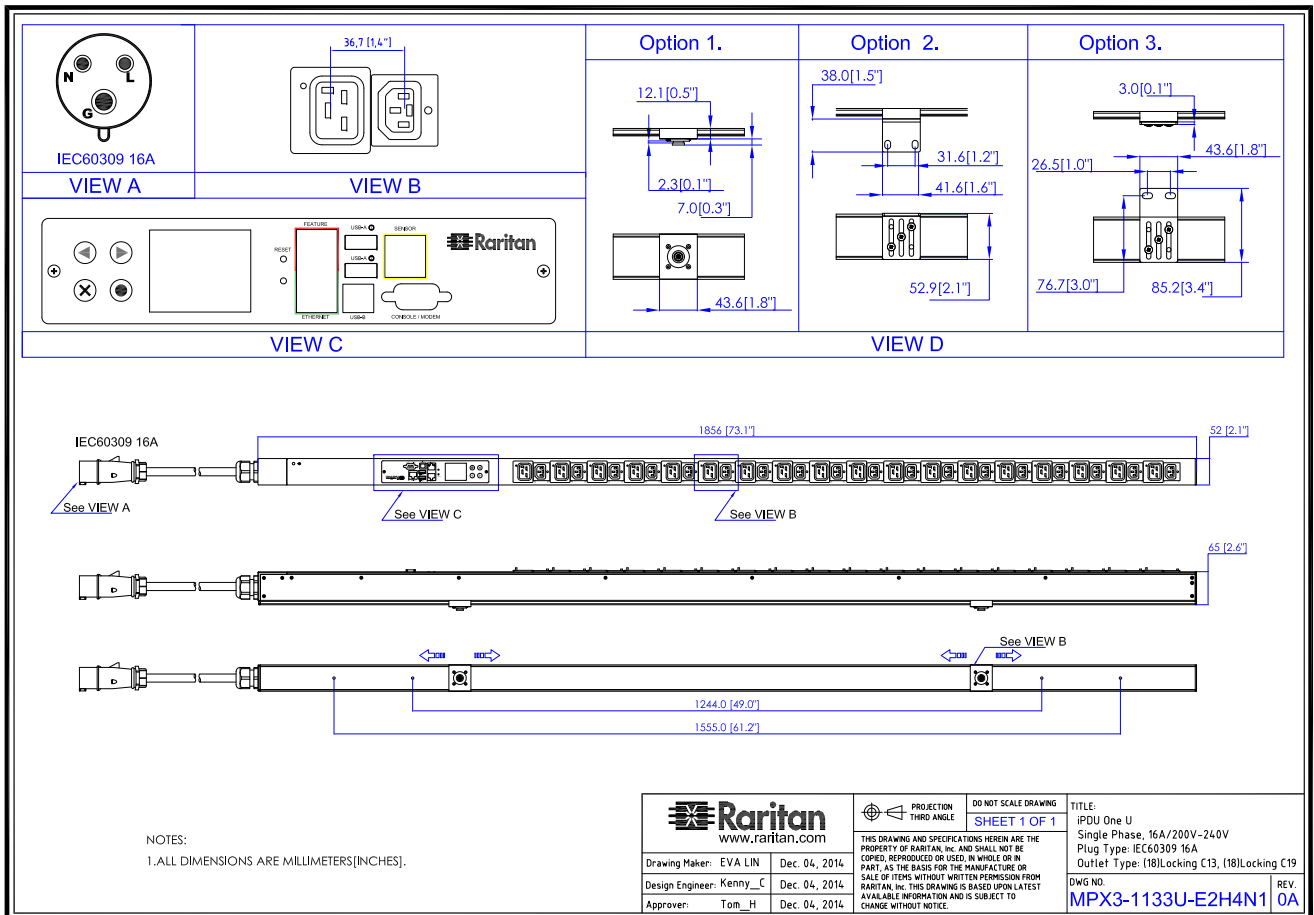


Technical Specifications / Engineering Submittals

Raritan Model Number: PX3-1133U-E2H4N1

rev20200701

MECHANICAL DIAGRAM

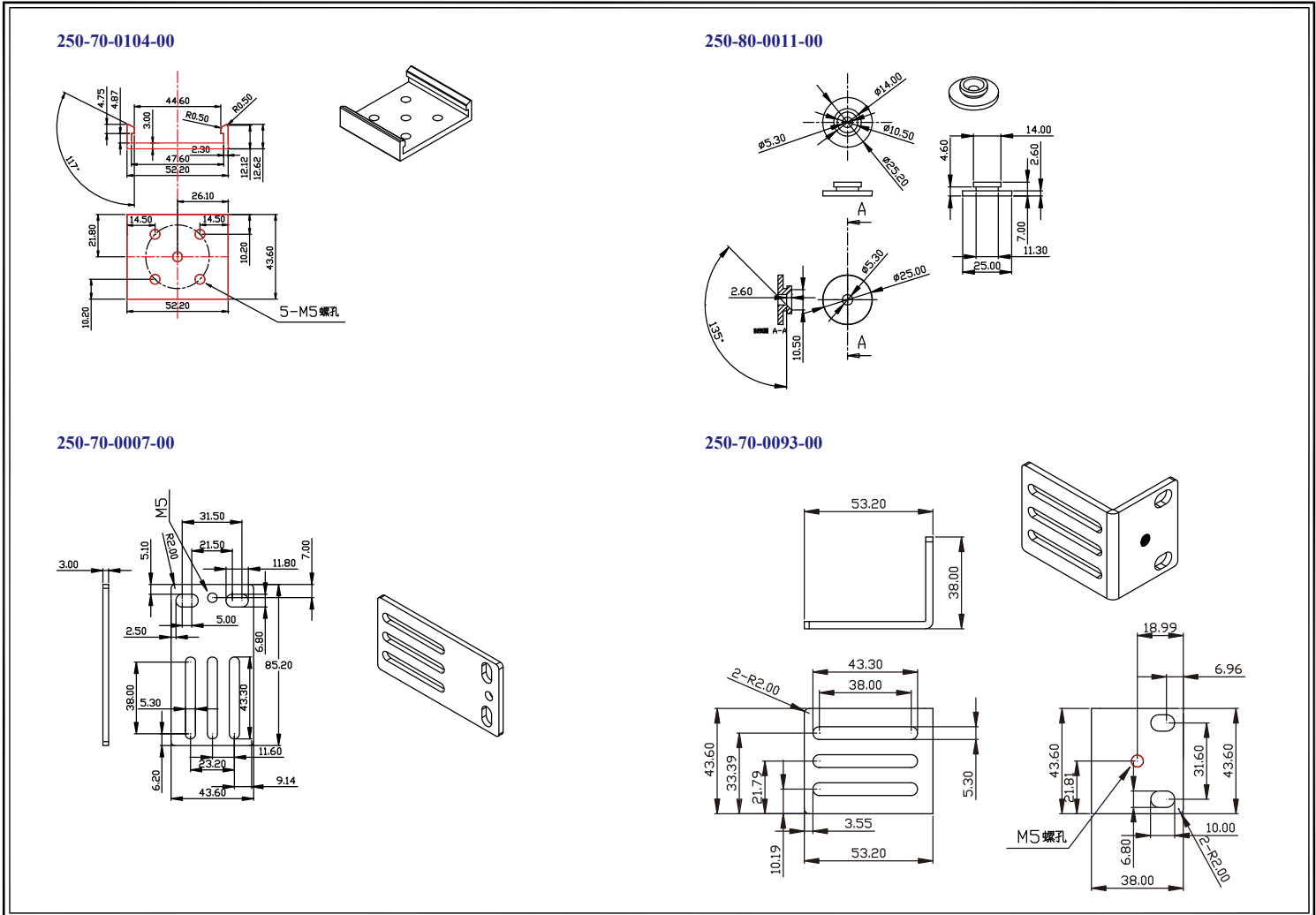


Technical Specifications / Engineering Submittals

Raritan Model Number: PX3-1133U-E2H4N1

rev20200701

Mounting Diagram (G2-RACK-FOR-ZU)



Technical Specifications / Engineering Submittals

Raritan Model Number: PX3-1133U-E2H4N1

rev20200701

TRIP CURVE

This file generated on: Wed, July 01, 2020 - 05:21:15