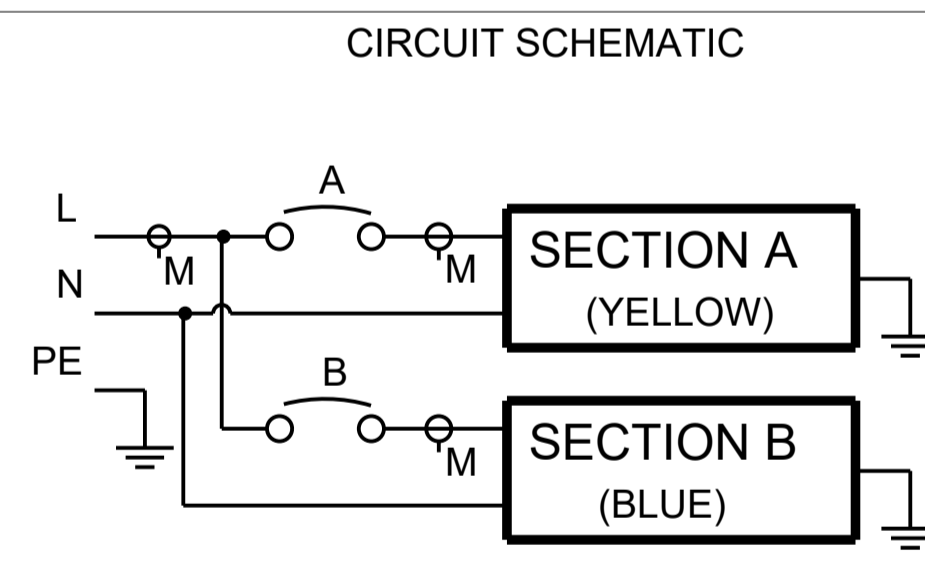


PICTORIAL VIEW
REFERENCE ONLY



EMIH06		G3+ METERED INPUT	
FUNCTIONALITY	INPUT	OUTPUT	ENVIRONMENTAL
CURRENT POWER AND ENERGY METERING FOR INPUT AND BRANCH	IEC 60309-2 32A 230V~ W+N+PE 4.0MM HO7 POWER CORD CABLE LENGTH: 3.0M	(12) IEC 60320 C13 GRIP/P-LOCK (4) IEC 60320 C19 GRIP/P-LOCK	0 TO 60 °C
MECHANICAL	INPUT RATING	OUTPUT RATING	CERTIFICATIONS
LENGTH: 127 MM WIDTH: 444.5 MM DEPTH: 87.2 MM ALUMINIUM CHASSIS, BLACK	200-240V~,W+N+PE 50/60HZ 32A	200-240V~,50/60HZ 10A PER C13;16A PER C19 16A MAX PER SECTION 32A MAX PER PHASE	CE, CB
CIRCUIT BREAKERS	FILTER AND SPIKE/SURGE	ACCESSORIES	CONFIGURATION
(2) 16A 1-POLE	NONE	STANDARD KSP013 - 2U INSTALLATION AND NETWORK KIT OPTIONAL EMPDT1H1C2 - ENVIRONMENTAL PROBE	EMI3CHJFDB21AM

02 P/N CORRECTION AND INFO TABLE UPDATE TO G3+		23.03.2022	YS	ENOVIA
01 ASSY PART NUMBER CORRECTION, WAS: EMI3CCJFADB21AM		29.04.2016	CW	MB
REV	MODIFICATION	DATE	DESS/DRAW	VERIF
EAT·N HEINEMANN PRODUCTS		VUE/VUEW EUROPE: 1/2	N° MAG: EMIH06	
CH-1345 LE LIEU SWITZERLAND		DESSINE LE / DRAWED THE: 17.03.2016	PAR / BY: G.McD.	
TRAITEMENT / FINISH: NA		VERIFIE PAR / VERIFIED BY: M.B.		
MATIERE / MATERIAL: NA		NIVEAU DU CERTIFICAT DE SOUMISSION REQUIS / SAMPLES APPROVAL PROCESS REPORT: X		
DIMENSIONS AND TOLERANCES IN MILLIMETERS				
DESIGNATION	EPDU MI 2U (309 32A 1P)C13x12:C19x4	SK-78219-Y1	02	
COTES A CONTROLER / INSPECTION DIMENSIONS: XX.XX	COTES FONCTIONNELLES / FUNCTIONAL DIMENSIONS: # XX.XX	NUMERO DU PLAN / PLAN NUMBER		REV.

Ce document est propriété de Eaton Industries Manufacturing GmbH. Duplication interdite sans autorisation.
This document is Eaton Industries Manufacturing GmbH property. Duplication forbidden without authorization.