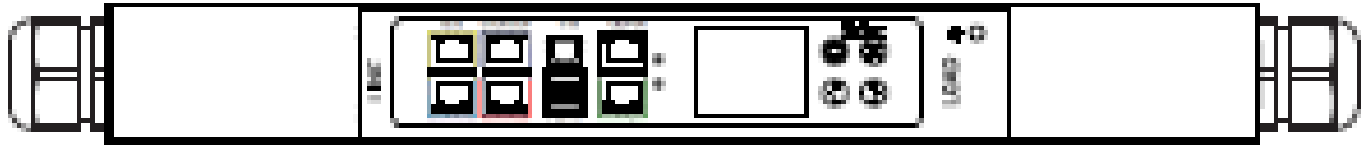


Technical Specifications / Engineering Submittals

Raritan Model Number: PX3-3170

rev20210827

LINE DRAWING



FEATURES

Energy Metering	Voltage (V), Current (A), Active Power (kW), Real Power (kVA), Energy (kWh), Power Factor
Metering Accuracy	ISO/IEC 62053-21 1%
Metering per Input Line	Yes
Metering per Branch Circuit Breaker	No
Metering per Output Receptacle	No
Remote Outlet Switching	No
Environmental Sensor Ready	Yes
Replaceable Controller	No
Compatible Sensors	Temperature, Humidity, Air Flow, Differential Pressure, Water Leak, and Contact Closure
Networking	Gigabit (10/100/1000 BaseT) Ethernet port; secondary, redundant (10/100 BaseT) Ethernet port. Optional WiFi (802.11a/b/g/n)
Remote Management	HTTP(s); SSH; Telnet; RS-232 (Serial); Power IQ; SNMP version v2/v3; SMTP; JSON-RPC; Modbus over TCP
Cascading	Yes, Max 16 PDUs can be daisy chained using a single Ethernet or USB connection
Onboard Display	Color, matrix LCD display : Voltage, current, or active power (per line); Alarms; Configuration information (name, ratings, IP / Networking information); Auto-flip orientation
Embedded Processor	ARM Cortex A5 536MHZ (Atmel A5D35A), 16MB SPI Flash, 64MB DDR2 RAM

Technical Specifications / Engineering Submittals

Raritan Model Number: PX3-3170

rev20210827

INPUT

Input Plug	AC Terminal (N/A)
Cord Length	N/A
Cord Entry	Bottom-front feed
Cable Type	
Number of Power Cords	N/A
Maximum Input Current	32A
Nominal Input Voltage	415V 3 phase
Rated Input Voltage	190 - 415V 3 phase
Input Frequency	50/60Hz
Power Capacity	0.0kVA at 190V, 0.0kVA at 415V

OUTPUT

Nominal Output Voltage	415V
Rated Output Voltage	190 - 415V
Receptacles (Output Connections)	(1) AC Terminal, 32A
Securelock Support	No
Cord Retention	Yes
Overload Protection	N/A

PHYSICAL

Color	Black powder coat (custom colors available)
Unit Dimensions (WxDxH)	2.1" x 2.6" x 17.3" ; 52mm x 65mm x 439mm
Unit Weight	1.2 kg
Shipping Weight	2.1 kg
Shipping Dimensions (WxDxH)	8.27" x 5.08" x 22.44" ; 210mm x 129mm x 570mm
Mounting	G2-RACK-FOR-ZU

Technical Specifications / Engineering Submittals

Raritan Model Number: PX3-3170

rev20210827

ENVIRONMENTAL

Operating Temperature	60°C
Operating Relative Humidity	85%
Operating Elevation	0-10000ft

CONFORMANCE

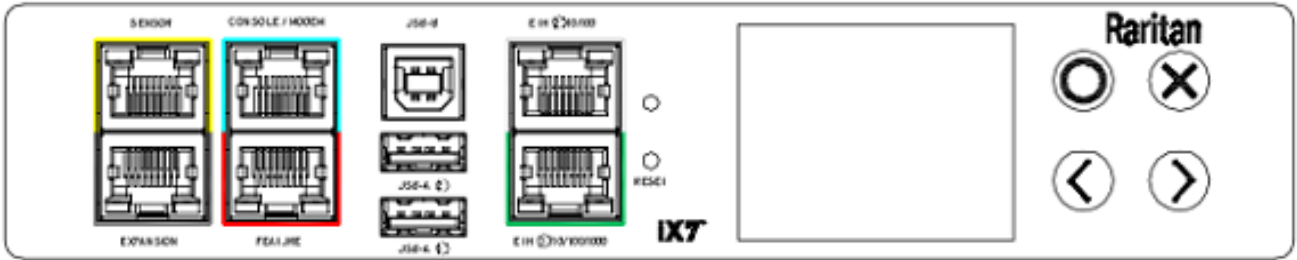
Regulatory Approvals	UL Listed and CE, Canada ICES-003, Part 15 Class A of the FCC rules, RoHS compliant
Warranty	Standard 2 years manufacturer warranty

Technical Specifications / Engineering Submittals

Raritan Model Number: PX3-3170

rev20210827

CONTROL PANEL

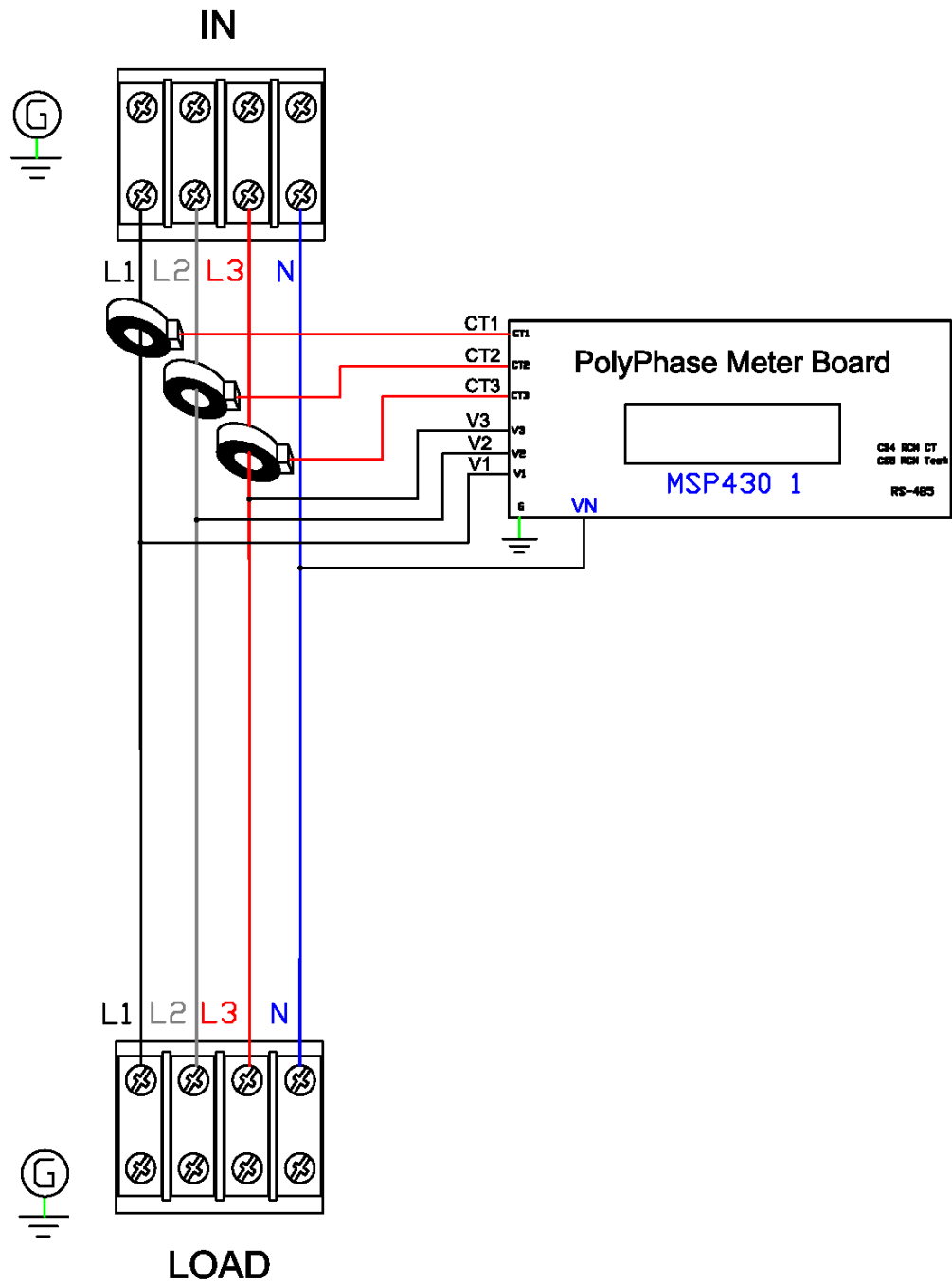


Technical Specifications / Engineering Submittals

Raritan Model Number: PX3-3170

rev20210827

ELECTRICAL (ONE LINE) DIAGRAM

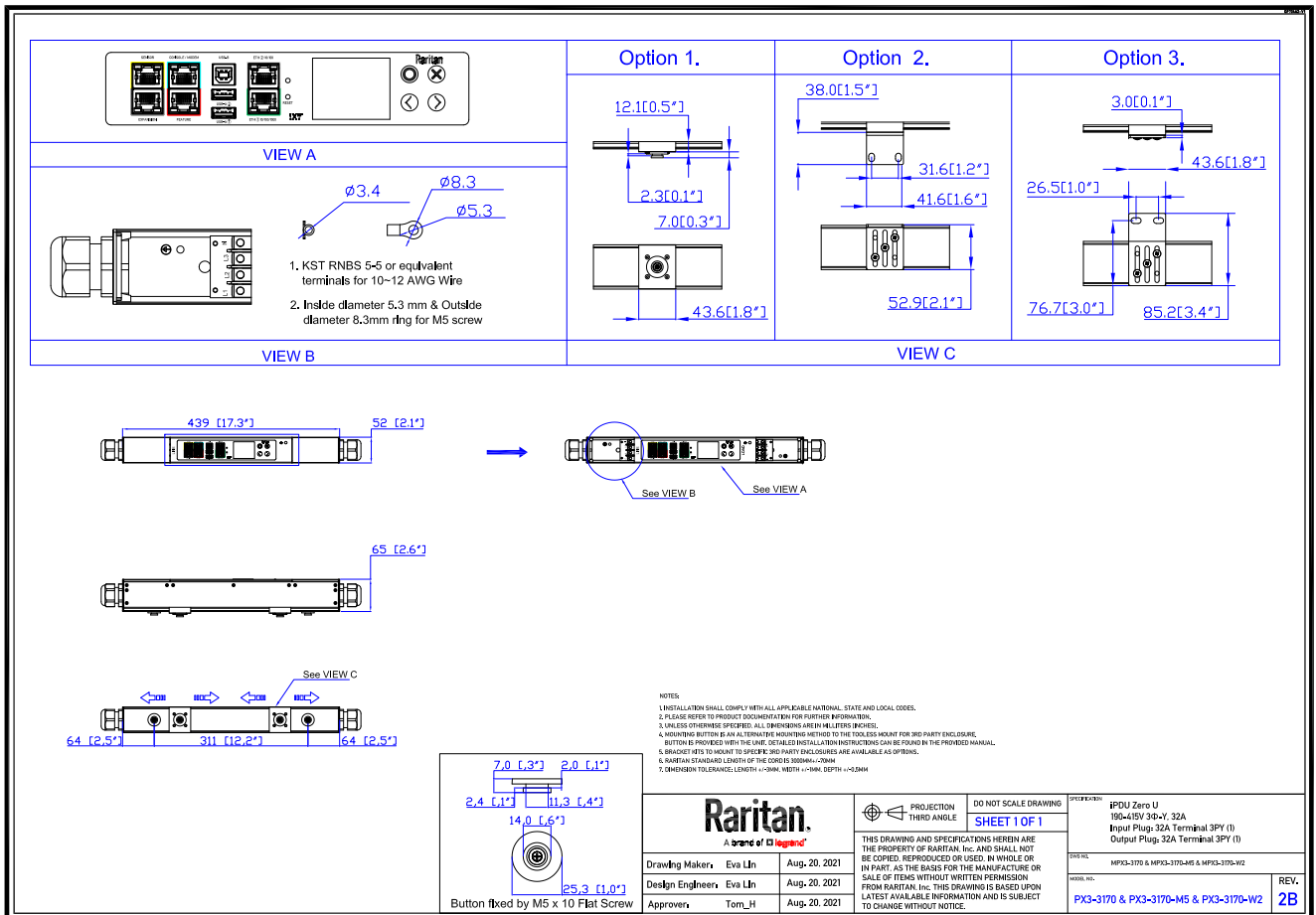


Technical Specifications / Engineering Submittals

Raritan Model Number: PX3-3170

rev20210827

MECHANICAL DIAGRAM



Technical Specifications / Engineering Submittals

Raritan Model Number: PX3-3170

rev20210827

TRIP CURVE

This file generated on: Fri, August 27, 2021 - 09:50:46