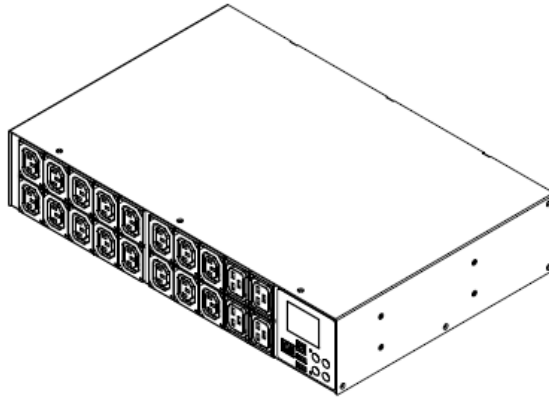


Technical Specifications / Engineering Submittals

Raritan Model Number: PX3-5469R

rev20200701

LINE DRAWING



FEATURES

| | |
|--|---|
| Energy Metering | Voltage (V), Current (A), Active Power (kW), Real Power (kVA), Energy (kWh), Power Factor |
| Metering Accuracy | ISO/IEC 62053-21 1% |
| Metering per Input Line | Yes |
| Metering per Branch Circuit Breaker | Yes |
| Metering per Output Receptacle | Yes |
| Remote Outlet Switching | Yes |
| Environmental Sensor Ready | Yes |
| Replaceable Controller | No |
| Compatible Sensors | Temperature, Humidity, Air Flow, Differential Pressure, Water Leak, and Contact Closure |
| Networking | Gigabit (10/100/1000 BaseT) Ethernet port; secondary, redundant (10/100 BaseT) Ethernet port. Optional WiFi (802.11a/b/g/n) |
| Remote Management | HTTP(s); SSH; Telnet; RS-232 (Serial); Power IQ; SNMP version v2/v3; SMTP; JSON-RPC; Modbus over TCP |
| Cascading | Yes, Max 16 PDUs can be daisy chained using a single Ethernet or USB connection |
| Onboard Display | Color, matrix LCD display : Voltage, current, or active power (per line, per breaker, or per receptacle / outlet); Alarms; Configuration information (name, ratings, IP / Networking information) |
| Embedded Processor | ARM Cortex A5 536MHZ (Atmel A5D35A), 16MB SPI Flash, 128MB DDR2 RAM |

Technical Specifications / Engineering Submittals

Raritan Model Number: PX3-5469R

rev20200701

INPUT

| | |
|-----------------------|--------------------------------|
| Input Plug | IEC 60309 2P+E 6h 32A (2P3W) |
| Cord Length | 3 meters (9.84 feet) standard |
| Cord Entry | Rear feed |
| Cable Type | IP44("splashproof") |
| Number of Power Cords | 1 |
| Maximum Input Current | 32A |
| Nominal Input Voltage | 230V |
| Rated Input Voltage | 200 - 240V |
| Input Frequency | 50/60Hz |
| Power Capacity | 6.4kVA at 200V, 7.7kVA at 240V |

OUTPUT

| | |
|----------------------------------|---|
| Nominal Output Voltage | 230V |
| Rated Output Voltage | 200 - 240V |
| Receptacles (Output Connections) | (16) IEC320 C13, 10A (4) IEC320 C19, 16A |
| Securelock Support | Yes |
| Cord Retention | No |
| Overload Protection | (2) Airpax LEGBX6-37483-16-V |

PHYSICAL

| | |
|-----------------------------|--|
| Color | Black powder coat (custom colors available) |
| Unit Dimensions (WxDxH) | 17.3" x 11.5" x 3.5" ; 440mm x 293mm x 88mm |
| Unit Weight | 7 kg |
| Shipping Weight | 10.6 kg |
| Shipping Dimensions (WxDxH) | 22.05" x 21.73" x 11.18" ; 560mm x 552mm x 284mm |
| Mounting | RACK-KIT-PX-2U |

Technical Specifications / Engineering Submittals

Raritan Model Number: PX3-5469R

rev20200701

ENVIRONMENTAL

| | |
|-----------------------------|-------------|
| Operating Temperature | 60°C |
| Operating Relative Humidity | 85% |
| Operating Elevation | 0-10000ft |
| Storage Temperature | -25 to 65°C |
| Storage Humidity | 0-100% |
| Storage Elevation | 0-10000ft |

CONFORMANCE

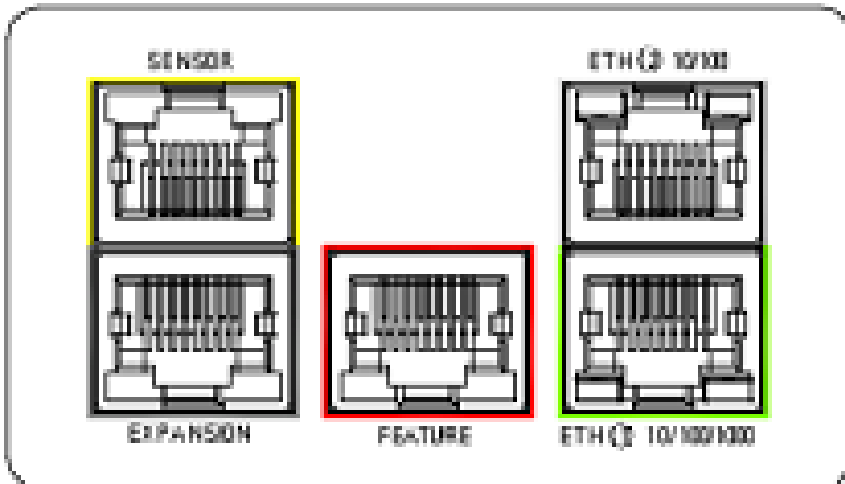
| | |
|----------------------|---|
| Regulatory Approvals | CE, Canada ICES-003, Part 15 Class A of the FCC rules, RoHS compliant |
| Warranty | Standard 2 years manufacturer warranty (Extended warranty available for purchase) |

Technical Specifications / Engineering Submittals

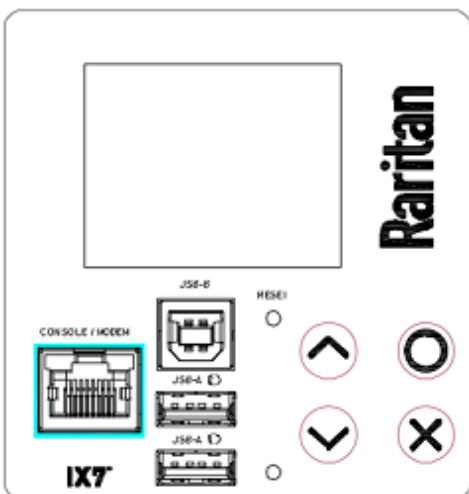
Raritan Model Number: PX3-5469R

rev20200701

CONTROL PANEL



CONTROL PANEL2

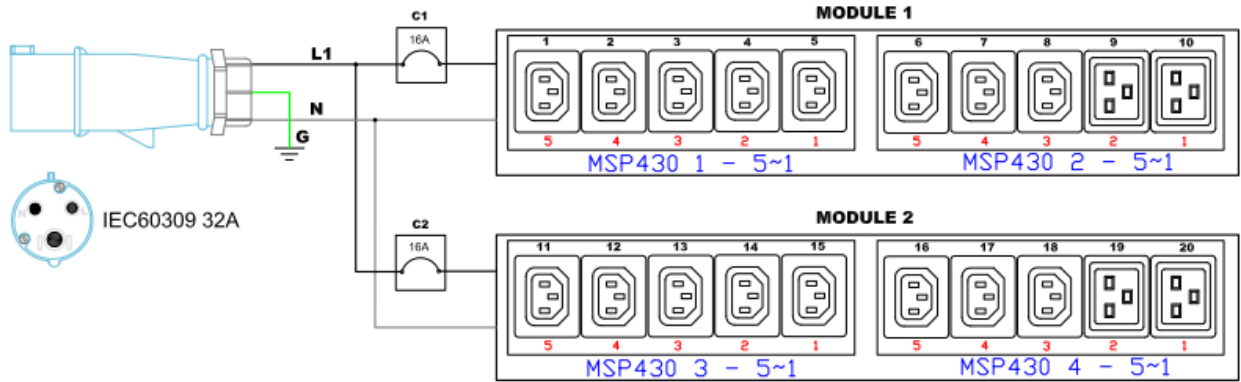


Technical Specifications / Engineering Submittals

Raritan Model Number: PX3-5469R

rev20200701

ELECTRICAL (ONE LINE) DIAGRAM

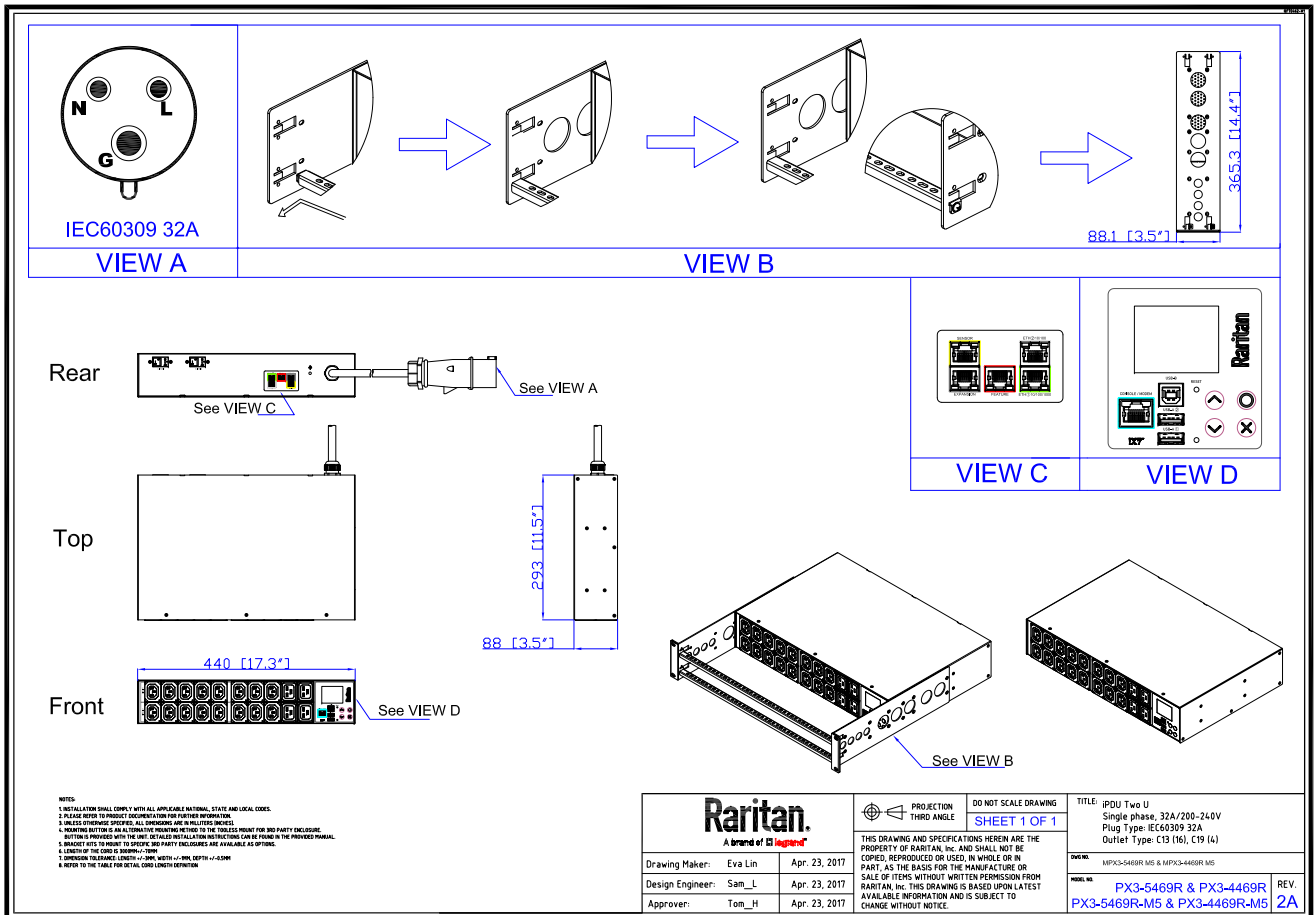


Technical Specifications / Engineering Submittals

Raritan Model Number: PX3-5469R

rev20200701

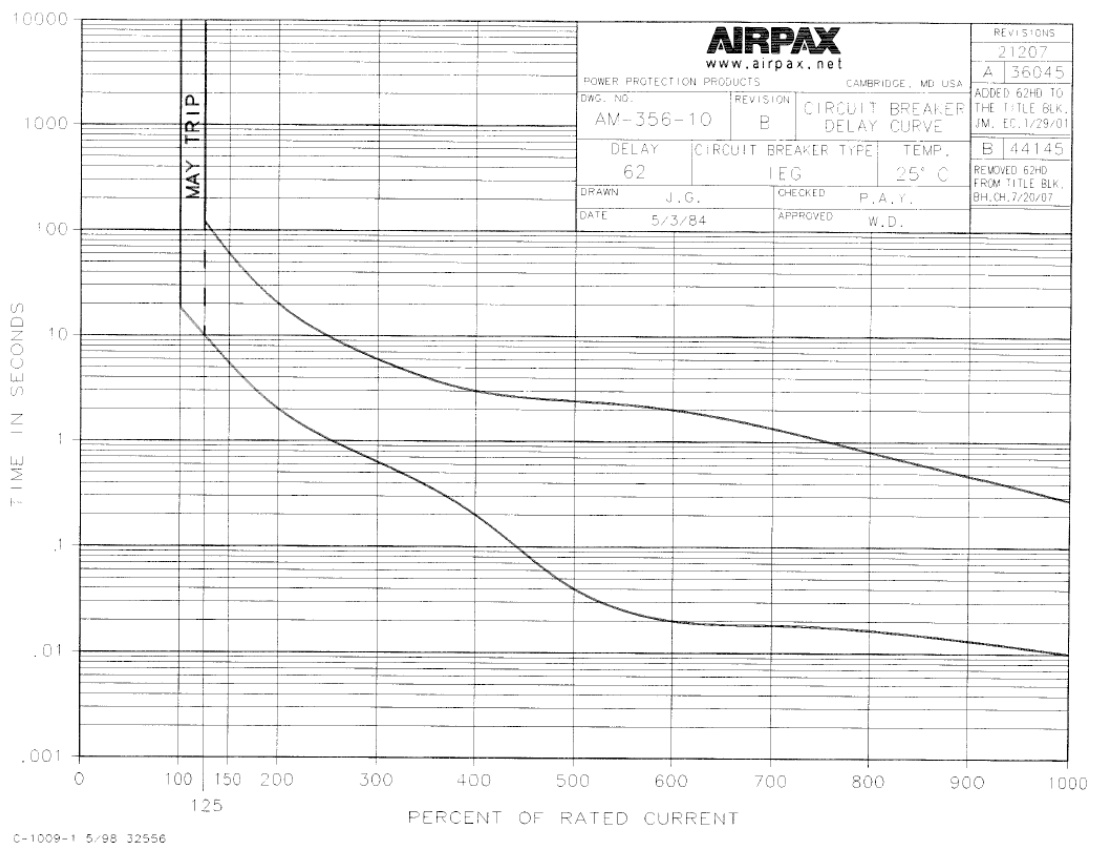
MECHANICAL DIAGRAM



Technical Specifications / Engineering Submittals
Raritan Model Number: PX3-5469R

rev20200701

TRIP CURVE



7