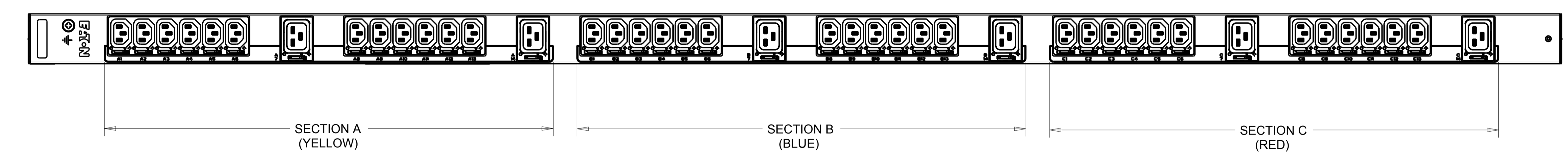
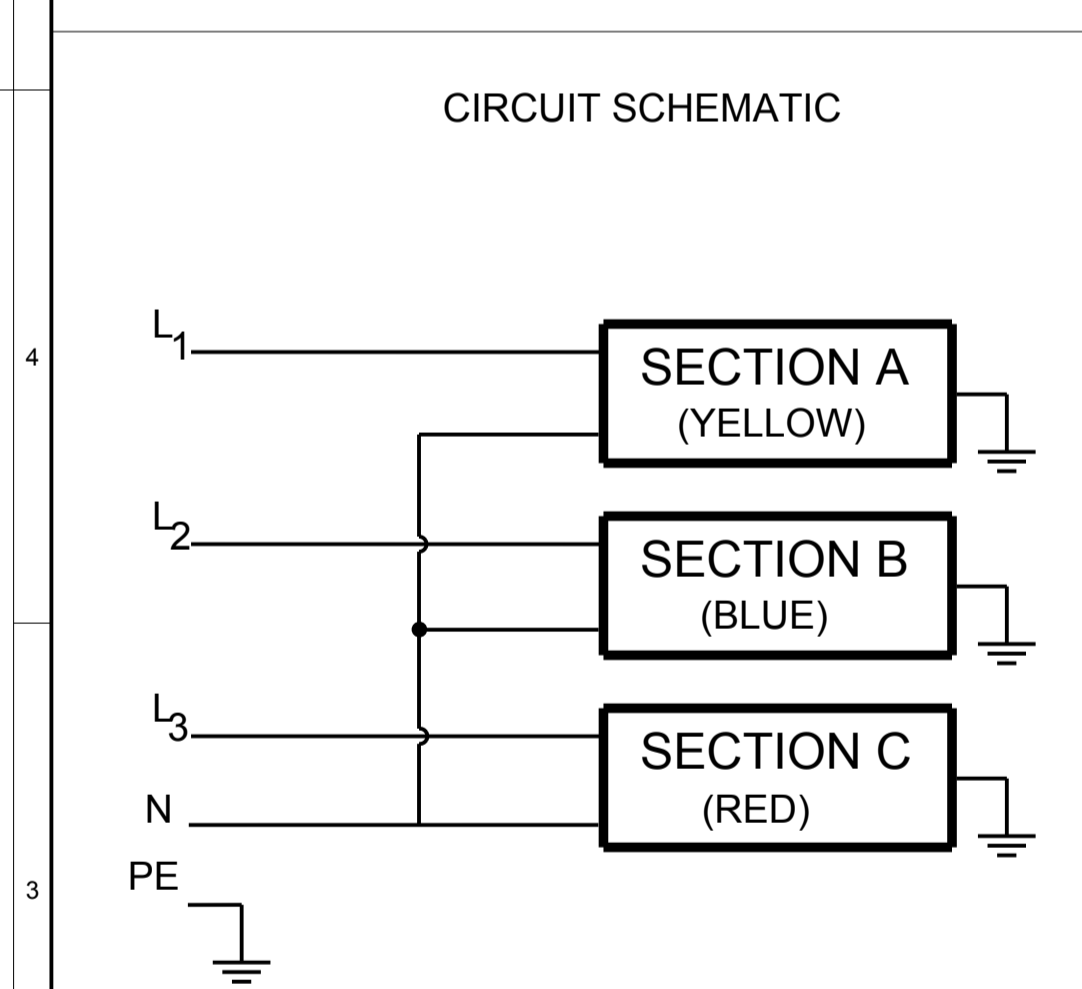
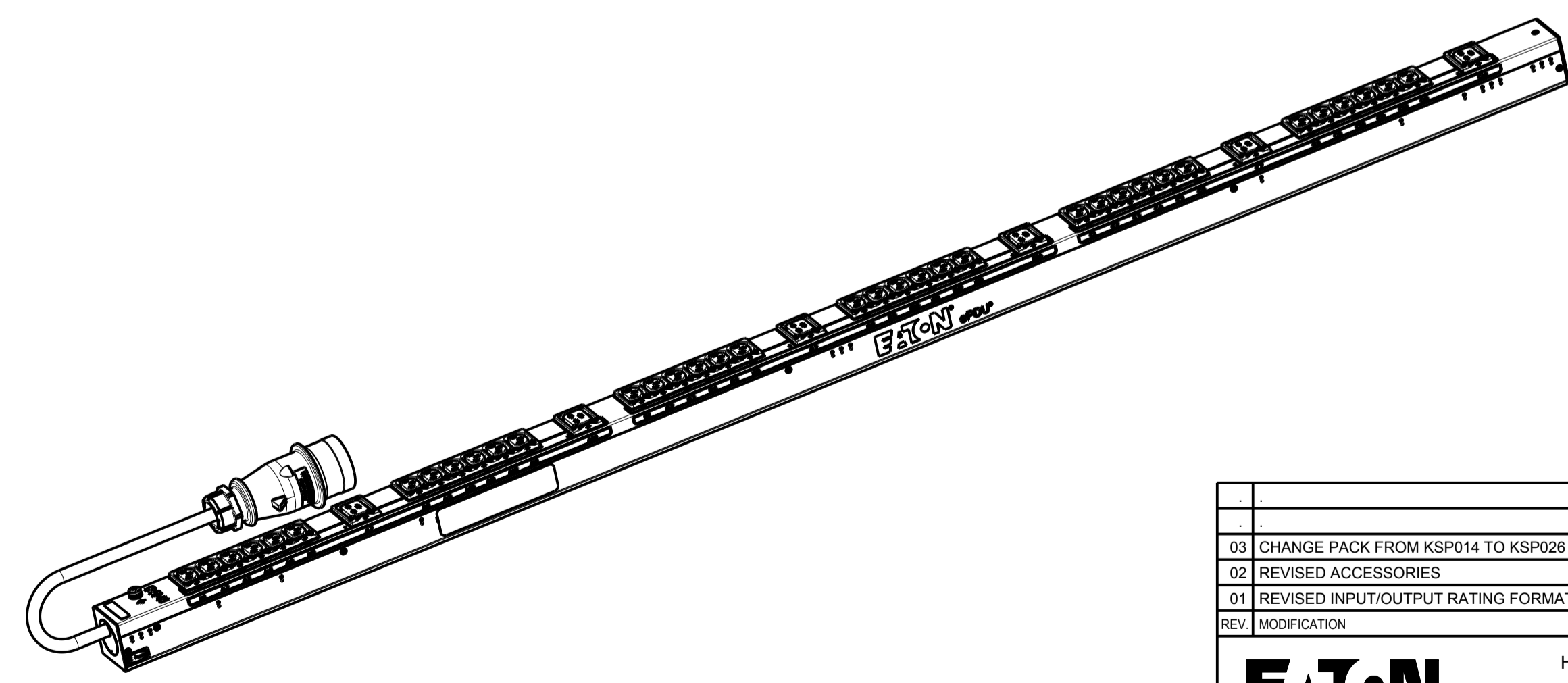


CABLE LENGTH SHOWN NOT TO SCALE



EBAB00		G3+ BASIC	
FUNCTIONALITY	INPUT	OUTPUT	ENVIRONMENTAL
NONE	IEC 60309-2 16A 400V~ WYE, 3W+N+PE 1.5MM HO7 POWER CORD CABLE LENGTH: 3.0M	(36) IEC 60320 C13 GRIP / P-LOCK (6) IEC 60320 C19 GRIP / P-LOCK	0 TO 60° C
MECHANICAL	INPUT RATING	OUTPUT RATING	CERTIFICATIONS
LENGTH: 1604MM WIDTH: 52 MM DEPTH: 53MM ALUMINIUM CHASSIS, BLACK MNT PATTERN SK-23919-Y1	3Ø;346-415V~; WYE, 3W+N+PE 50/60HZ	200-240V~;50/60HZ 10A PER C13;16A PER C19 16A MAX PER SECTION 16A MAX TOTAL	CE, CB
CIRCUIT BREAKERS	FILTER AND SPIKE/SURGE	ACCESSORIES	CONFIGURATION
NONE	NONE	STANDARD KSP026 - VERT INSTALLATION PACK KA35	EBA3DA8FAGK77AM



PICTORIAL VIEW  
SCALE 0.200

03 CHANGE PACK FROM KSP014 TO KSP026		17.07.2017	VV	MB
02 REVISED ACCESSORIES		12.06.2015	G.McD.	M.B.
01 REVISED INPUT/OUTPUT RATING FORMAT AND CORRECTED GRAPHICS.		14.05.2014	G.McD.	M.B.
REV	MODIFICATION	DATE	DESIGNER	VERIF
<b>EATON</b>		HEINEMANN PRODUCTS		VUE/VIEW 1ST ANGLE
CH-1345 LE LIEU SWITZERLAND		ECHELLE / SCALE 4/10		N° MAG EBAB00
TRAITEMENT / FINISH NA		DESSINE LE / DRAWED THE PAR / BY		21.02.2014
MATERIE / MATERIAL NA		VERIFIE PAR / VERIFIED BY		M.B.
NIVEAU DU CERTIFICAT DE SOUMISSION REQUIS / SAMPLES APPROVAL PROCESS REPORT			X	DIMENSIONS AND TOLERANCES IN MILLIMETERS
DESIGNATION EPDU BA 0U (309 16A 3P)36XC13:6XC19		SK-30519-Y1		03
COTES A CONTROLER INSPECTION DIMENSIONS		COTES FONCTIONNELLES FUNCTIONAL DIMENSIONS		# XX.XX
NUMERO DU PLAN PLAN NUMBER		REV.		

Ce document est propriété de Eaton Industries Manufacturing GmbH. Duplication interdite sans autorisation.  
This document is Eaton Industries Manufacturing GmbH property. Duplication forbidden without authorization.